

GN30-12(D) Indoor Medium-voltage AC Switch-disconnector

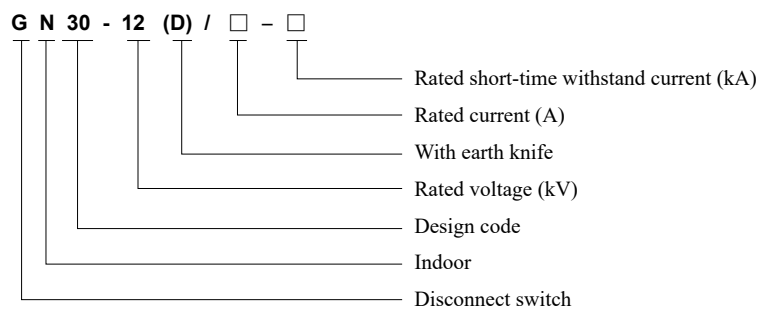


1 Overview

1.1 Main applications:

GN30-12(D) indoor high-voltage isolating switch is a new rotary contact knife type isolating switch, used in in the AC 50Hz power system with rated voltage of 12kV and below for losing and opening circuit under the voltage without load. The entire product structure is located on two upper and lower planes of the three-phase common bottom frame with two sets of fixed insulator and contact to turn on and off the switch by rotating the contact knife. The product features with compact design, small occupation space, strong insulation capacity, and easy installation and adjustment.

2 Type Designation



3 Technical Parameters

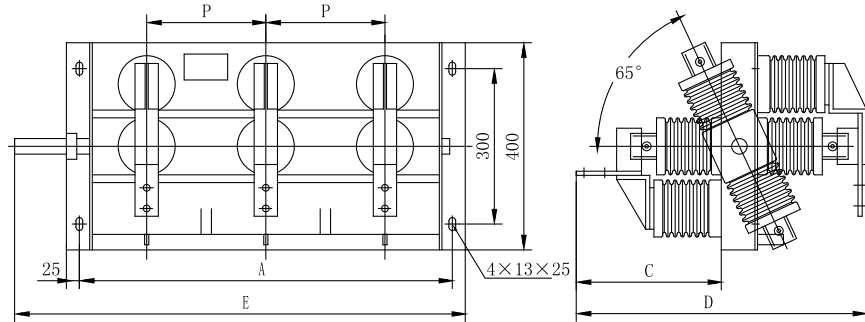
Parameter	Product Model & Spec.			
	GN30-12/400-12.5	GN30-12/630-20	GN30-12/1000-31.5	GN30-12/1250-31.5
Item	GN30-12D/400-12.5	GN30-12D/630-20	GN30-12D/1000-31.5	GN30-12D/1250-31.5
Rated voltage (kV)	12			
Rated current (A)	400	630	1000	1250
4S rated short-time withstand current (kA)	12.5	20	31.5	
Rated peak withstand current (kV)	31.5	50	80	
Rated insulation level	Power frequency withstand voltage for 1 minute (kV)	Phase-phase voltage, voltage to ground:42; Break voltage:48		
	Lighting impulse voltage (kV)	Phase-phase voltage, voltage to ground:75; Break voltage:85		

4 Operating Conditions

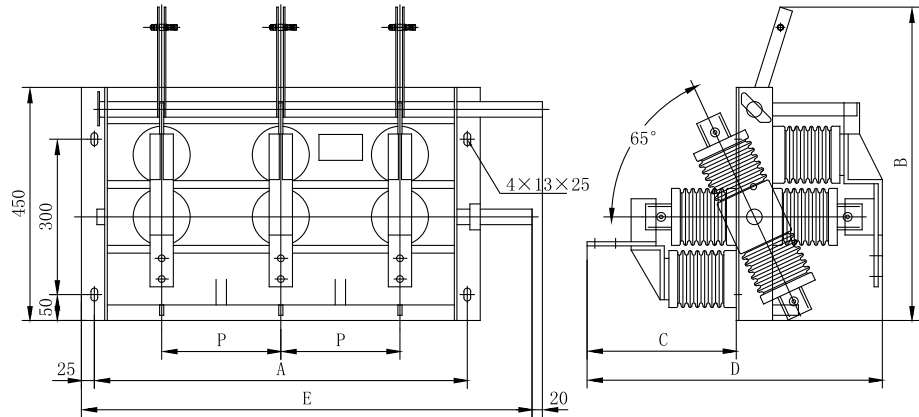
- 4.1 Ambient temperature: Upper limit: +40°C; Lower limit: -15°C;
- 4.2 The altitude does not exceed 1,000 meters.
- 4.3 For relative air humidity, the daily mean is not greater than 95%, and the monthly mean is not greater than 90%;
- 4.4 The earthquake intensity does not exceed 8 magnitude scales.
- 4.5 Installed in places free of fire, explosive risk, chemical corrosion, and violent vibration.
- 4.6 The installation site shall be free of flammable substance, explosive risk, chemical corrosion and violent vibration.

GN30-12(D) Indoor Medium-voltage AC Switch-disconnector

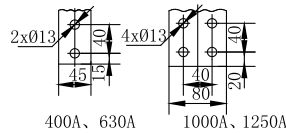
5 Outline and Installation Dimensions



GN30-12

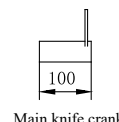


GN30-12D

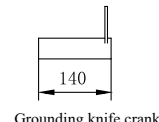


400A、630A 1000A、1250A

Terminal installation dimensions



Main knife crank



Grounding knife crank

Phase spacing P	210					230					250				
	A	B	C	D	E	A	B	C	D	E	A	B	C	D	E
GN30-12/400、630	680	615	282 (Parallel on both sides) 363 (Vertical on both sides)	510 (Parallel on both sides) 575 (vertical on one side)	820	720	615	282 (Parallel on both sides) 363 (Vertical on both sides)	510 (Parallel on both sides) 575 (vertical on one side)	860	760	615	282 (Parallel on both sides) 363 (Vertical on both sides)	510 (Parallel on both sides) 575 (vertical on one side)	900
GN30-12/1000				575 (vertical on one side)					575 (vertical on one side)					575 (vertical on one side)	
GN30-12/1250				665 (Vertical on both sides)					665 (Vertical on both sides)					665 (Vertical on both sides)	
GN30-12D/400、630				665 (Vertical on both sides)					665 (Vertical on both sides)					665 (Vertical on both sides)	
GN30-12D/1000				665 (Vertical on both sides)					665 (Vertical on both sides)					665 (Vertical on both sides)	
GN30-12D/1250															

GN30-12(D) Indoor Medium-voltage AC Switch-disconnector

6 Ordering Technical Confirmation Form

Gn30-12 (D) order technical confirmation table

Determine your requirements according to the items listed in table below:

Product model	<input type="checkbox"/> GN30-12	
	<input type="checkbox"/> GN30-12D	
Order Qty. (pcs)		
Rated current (A)	<input type="checkbox"/> 630 <input type="checkbox"/> 1000 <input type="checkbox"/> 1250 <input type="checkbox"/> Others_____	
Phase distancing (mm)	<input type="checkbox"/> 210 <input type="checkbox"/> 230 <input type="checkbox"/> 250 <input type="checkbox"/> 275 <input type="checkbox"/> Others_____	
Operating direction	<input type="checkbox"/> Left operation <input type="checkbox"/> Right operation	
Short-time withstand current (kA)	<input type="checkbox"/> 20 <input type="checkbox"/> 25 <input type="checkbox"/> 31.5	
Installation location	<input type="checkbox"/> Installed on the top of the circuit breaker <input type="checkbox"/> Installed on the bottomof the circuit breaker	
Earthing device	<input type="checkbox"/> No <input type="checkbox"/> Yes	
Auxiliary switch	Main knife	<input type="checkbox"/> No (standard configuration) <input type="checkbox"/> Yes:_OFF_ON
	Grounding knife	<input type="checkbox"/> No (standard configuration) <input type="checkbox"/> Yes:_OFF_ON
Outgoing terminal wiring method	<input type="checkbox"/> Parallel on one side and vertical on one side (standard configuration) <input type="checkbox"/> Parallel on both sides <input type="checkbox"/> Vertical on both sides	
Other instructions	1.With CS6-1 manual operating mechanism as standard configuration; 2.All linkages between the isolating switch bodies and the operating mechanism are provided by user;	
Other special requirements		Ordering unit (seal) Sign: _____ Confirmation date: _____ Tel: _____

Note: If not ticked, all options shall be manufactured according to the TENGEN's standard configurations.