

GN19-12 Indoor Medium-voltage AC Switch-disconnector

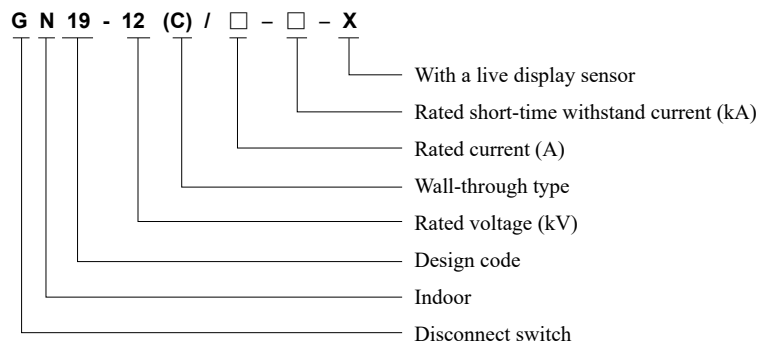


1 Overview

1.1 Main applications:

GN19-12(C) indoor high-voltage isolating switch is used in the AC 50Hz power system with rated voltage of 12kV and with rated current of less than 1250A for closing and opening circuit under the voltage without load. The isolating switch can be equipped with a CS6-1 manual operating mechanism and an optional live display device.

2 Type Designation



3 Technical Parameters



Model	Rated voltage (kV)	Rated current (A)	Rated peak withstand current (kV)	Rated short-time withstand current (kA/4S)	Power frequency withstand voltage for 1 minute (kV)	Lightning impact voltage (kV)
GN19-12/400-12.5	12	400	31.5	12.5	P/phase to phase, P/phase to earth: 42kV; O/open contacts:48	P/phase to phase, P/phase to earth: 75kV; O/open contacts:85
GN19-12/630-20		630	50	20		
GN19-12/1000-31.5		1000	80	31.5		
GN19-12/1250-40		1250	100	40		
GN19-12C/400-12.5		400	31.5	12.5		
GN19-12C/630-20		630	50	20		
GN19-12C/1000-31.5		1000	80	31.5		
GN19-12C/1250-40		1250	100	40		

4 Operating Conditions

- 4.1 Ambient temperature: Upper limit: +40°C; Lower limit: -15°C;
- 4.2 The altitude does not exceed 1,000 meters.
- 4.3 For relative air humidity, the daily mean is not greater than 95%, and the monthly mean is not greater than 90%;
- 4.4 The earthquake intensity does not exceed 8 degrees.
- 4.5 Installed in places free of fire, explosive risk, chemical corrosion, and violent vibration.
- 4.6 The installation site shall be free of flammable substance, explosive risk, chemical corrosion and violent vibration.
- 4.7 Pollution degree 2.

Please contact the manufacturer for customizing those failed to follow the normal working conditions.

GN19-12 Indoor Medium-voltage AC Switch-disconnector

5 Outline and Installation Dimensions

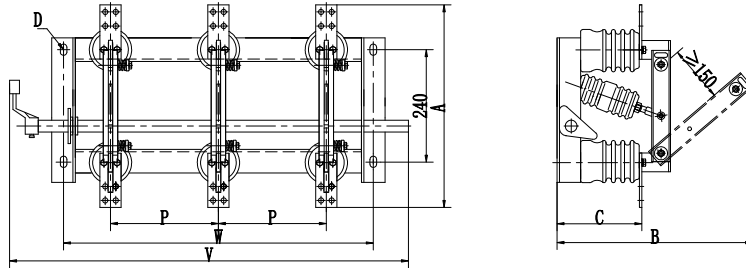


Fig. 1 GN19-12 Outline dimensions

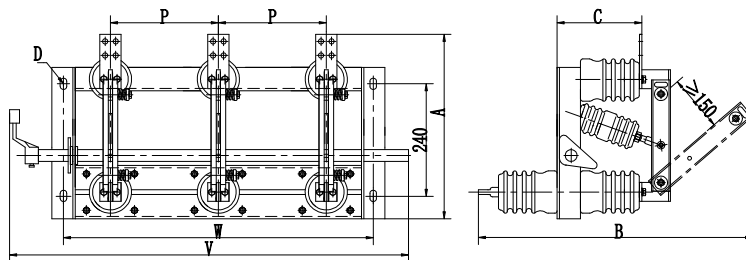


Fig. 2 GN19-12C Outline dimensions

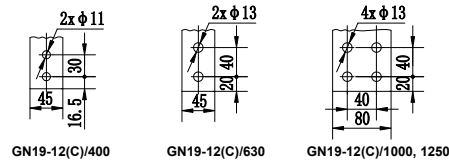


Fig. 3 Wiring terminal installation dimensions

Model	P	W	V	A	B	C	D
GN19-12/400	210	620	868	450	446	185	4x14x24
	230	660	908				
	250	700	948				
GN19-12/630	210	620	868	470	446	185	4x14x24
	230	660	908				
	250	700	948				
GN19-12/100 GN19-12/1250	210	620	868	510	500	196	4x18x28
	230	660	908				
	250	700	948				
GN19-12C/400	210	620	868	420	690	185	4x14x24
	230	660	908				
	250	700	948				
GN19-12C/630	210	620	868	430	690	185	4x14x24
	230	660	908				
	250	700	948				
GN19-12C/100 GN19-12C/1250	210	620	868	470	745	196	4x18x28
	230	660	908				
	250	700	948				

GN19-12 Indoor Medium-voltage AC Switch-disconnector

6 Ordering Technical Confirmation Form

Technical Confirmation Form for Ordering GN19-12 Indoor Medium-voltage AC Switch-disconnector

Determine your requirements according to the items listed in table below:

Product model	<input type="checkbox"/> GN19-12(Flush type)	
	<input type="checkbox"/> GN19-12C(Wall-through type)	
Order qty. (pcs)		
Rated current (A)	<input type="checkbox"/> 630 <input type="checkbox"/> 1250 <input type="checkbox"/> Others_____	
Phase spacing (mm)	<input type="checkbox"/> 210 <input type="checkbox"/> 230 <input type="checkbox"/> 250 <input type="checkbox"/> 275 <input type="checkbox"/> Others_____	
Operation direction	<input type="checkbox"/> Right operation <input type="checkbox"/> Left operation <input type="checkbox"/> Others_____	
Short-time withstand current (kA)	<input type="checkbox"/> 20 <input type="checkbox"/> 25 <input type="checkbox"/> 31.5	
Auxiliary switch	<input type="checkbox"/> No (standard configuration) <input type="checkbox"/> Yes:___ON___OFF	
Other instructions	1.With CS6-1 manual operating mechanism as standard configuration; 2.All linkages between the isolating switch bodies and the operating mechanism are provided by user;	
Other special requirements		Ordering unit (seal) Sign: _____ Confirmation date: _____ Tel: _____

Note: If not ticked, all options shall be manufactured according to the TENGEN's standard configurations.